

# SOLINTEG OFF-GRID APPLICATION

## Energy Storage System

INTEGRATE SOLAR INTELLIGENTLY



# Brief Introduction

Solinteg hybrid inverter boasts reliable off-grid power supply capability. Efficient power generation and robust off-grid load capacity effectively ensures users' electricity demands, aiding them in achieving energy independence and alleviating the inconveniences of power shortages.

## Highlights

### Stable and Reliable

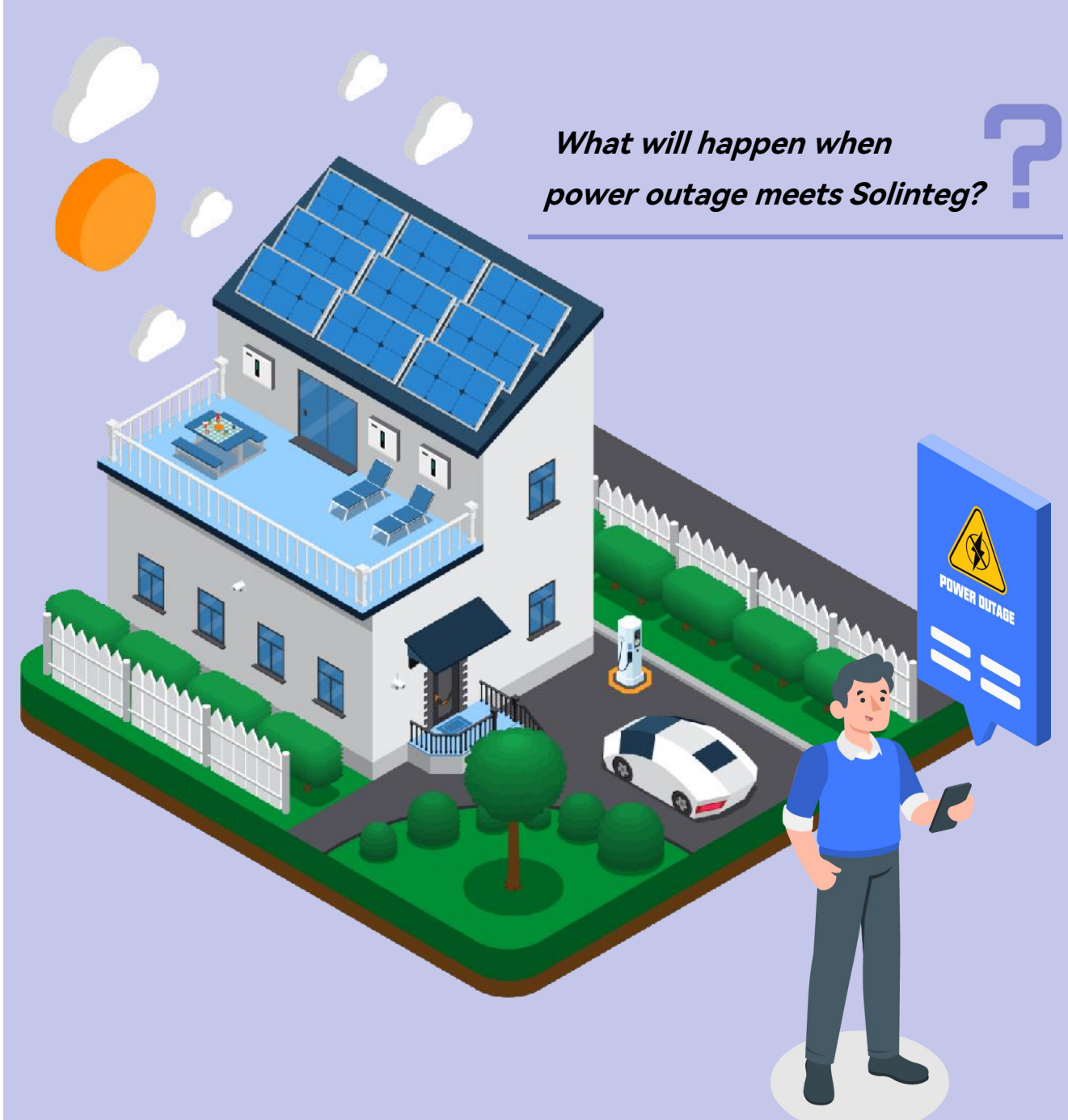
UPS level switching provides a stable output

### Efficient and Intelligent

High efficiency power generation and smart EMS management

### Multiple Power Backup

Multiple PV input, big current battery input, DG input



*What will happen when  
power outage meets Solinteg?*

# Off-Grid Features

## SOLINTEG

Auto Switching  
< 10ms  
Uninterrupted power supply



UPS level switching < 10ms

Greater loads carrying capacity  
110% continuously  
125% 600s  
150% 60s



110% Back-up continuous over output

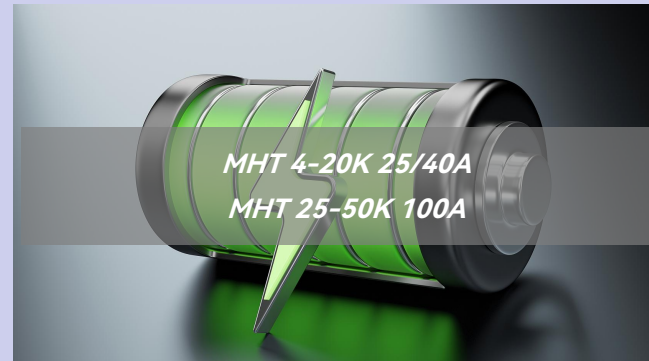
Keep The Power ALL The Time

Start the Diesel Generator Remotely



DG input ready

MHT 4-20K 25/40A  
MHT 25-50K 100A



Up to 100A charging and discharging

50% MORE



150% PV oversizing

# Off-Grid Applications



Solinteg hybrid inverters offer a wide power range to meet various customer demands. When combined with appropriate energy storage batteries, they provide an excellent solution for residential and small commercial applications.

When PV power is sufficient, it can be used to charge the battery and supply power to the home loads simultaneously. If PV power is insufficient, the battery will discharge to supplement the loads along with the PV system.

## Highlights

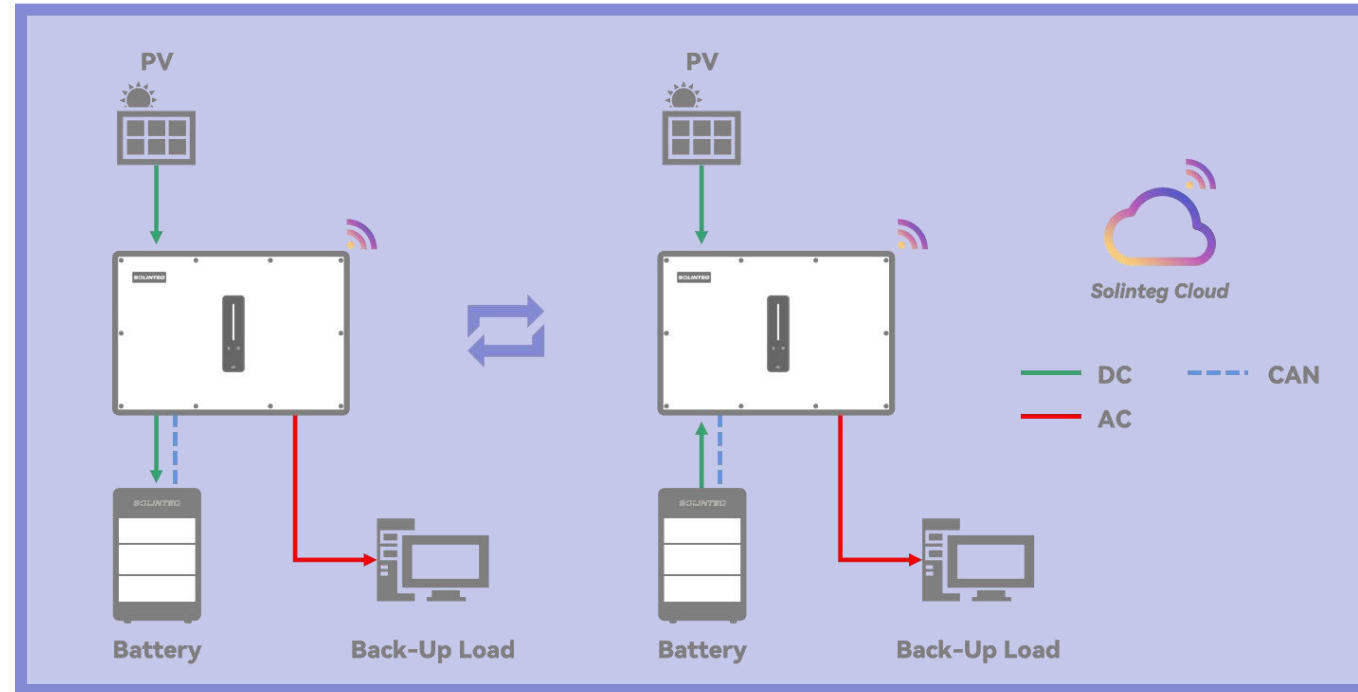
### Multiple Models

A wide power range, single phase 3-8K, three phase 4-50K

### High Efficiency

Up to 98.8% efficiency with 150% PV input, 110% output and 100A charging and discharging

## x1 Single Inverter



### Intelligent EMS and Monitoring

Built-in EMS saves every watt power with remote monitoring and smart control

# Off-Grid Applications 2

Solinteg 25-50kW inverters support connecting the diesel generator to provide full backup for your energy security. And it can automatically start the generator when other power sources are insufficient.

## Highlights

### More Reliable

Take power from the DG when power outage occurs

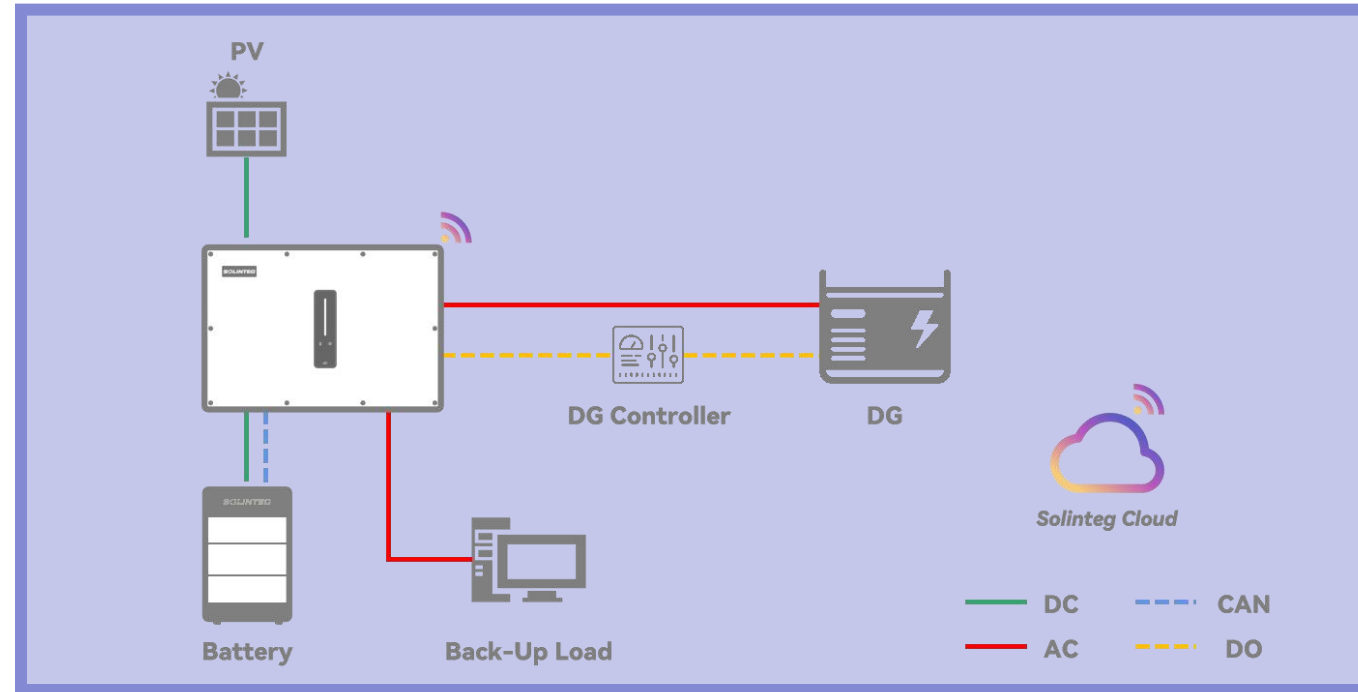
### Intelligent Control

Start the DG remotely and intelligently

### Simpler Installation

DG input port integrated, no need transfer device

## x1 Single Inverter + DG



# Off-Grid Applications



Solinteg MHT 25-50K supports off-grid parallel connections, facilitating easy expansion of plant capacity. It would be a suitable choice for commercial and small industrial applications.

## Highlights

### Bigger Capacity

Share the PV power and battery power

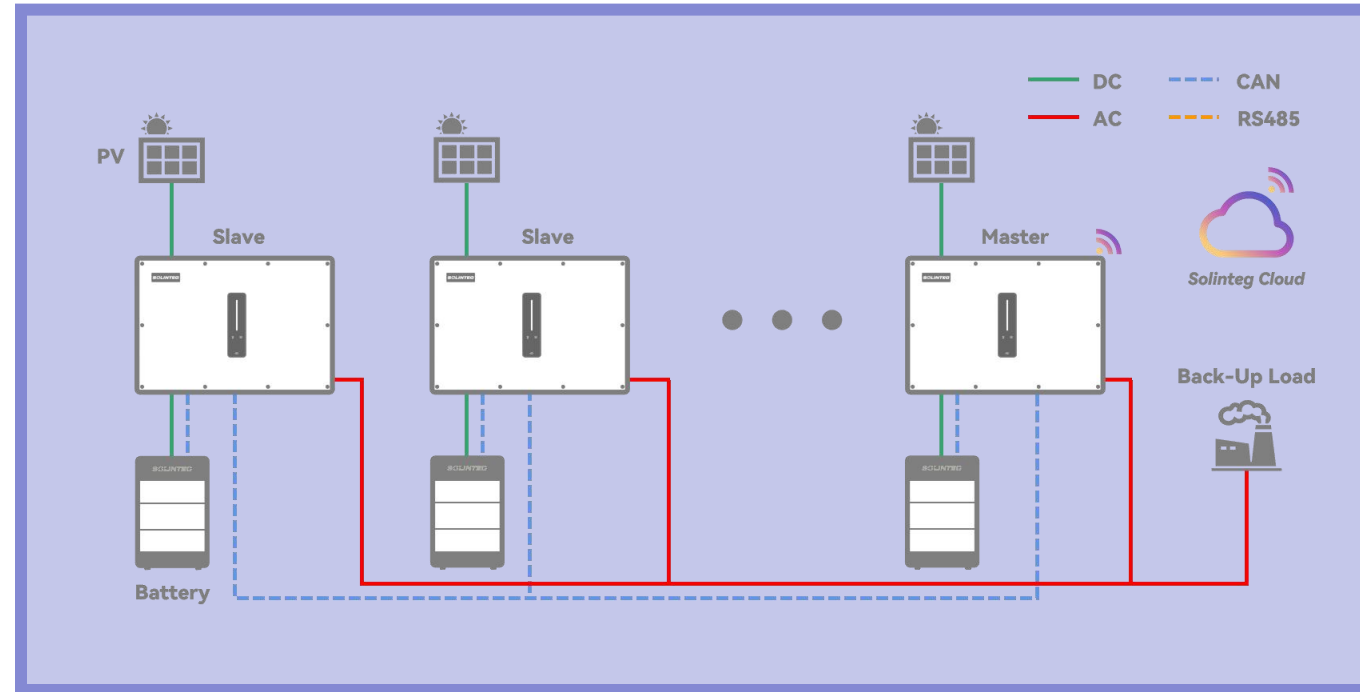
### More Flexible

More flexible installation with your system

### Simpler Installation

Connect all loads together to one port

## xN Multiple Inverters



# Off-Grid Applications

4

Solinteg hybrid inverters support master-slave parallel connections, enabling up to 10 units to be connected in parallel. With this more flexible setup, customers can ensure a reliable power supply at all times.

## Highlights

### Up to 10 Units

Support up to 10 units connection in single system

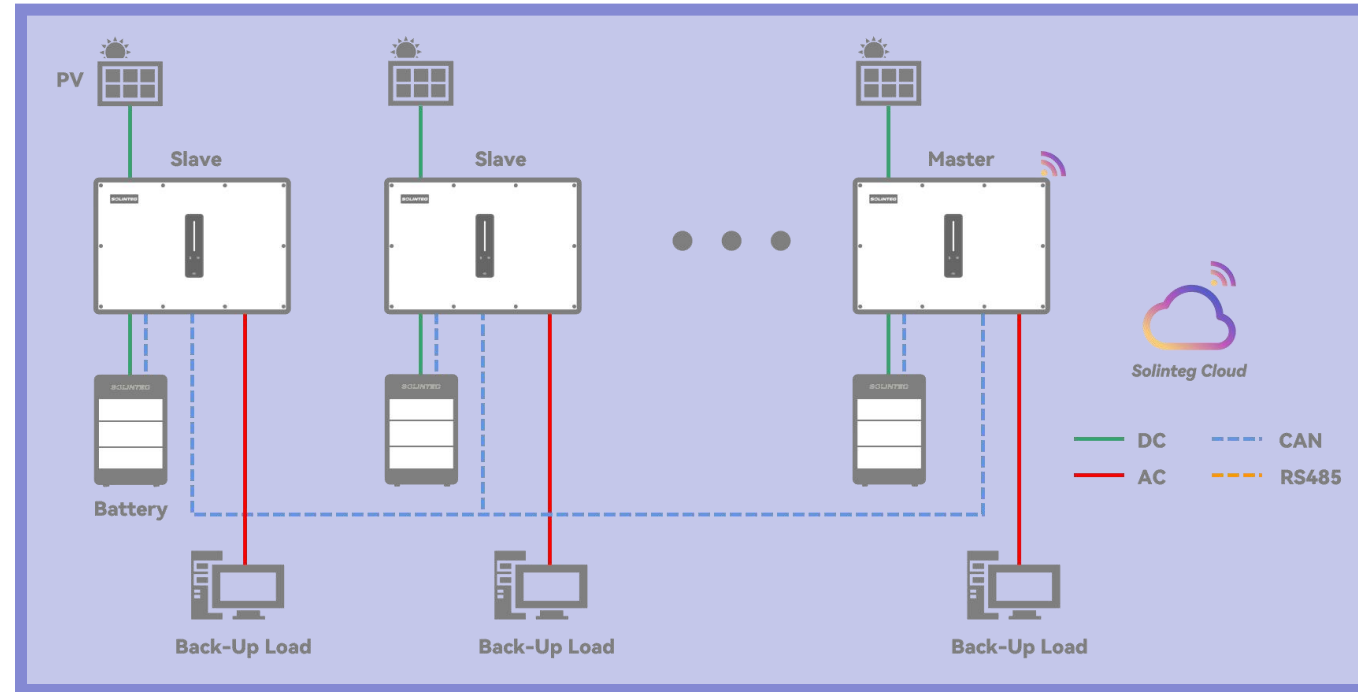
### More Flexible and Reliable

Distribute all loads to different inverters to ensure overall risk resistance ability

### Monitor All in One

Monitor all inverters in one platform

## xN Multiple Inverters





**END**

Contact us at  
[Academy@solinteg.com](mailto:Academy@solinteg.com)  
if you want to know more

INTEGRATE SOLAR INTELLIGENTLY