

# Solinteg Export Control Solution

# CONTENT

1

**Introduction**

2

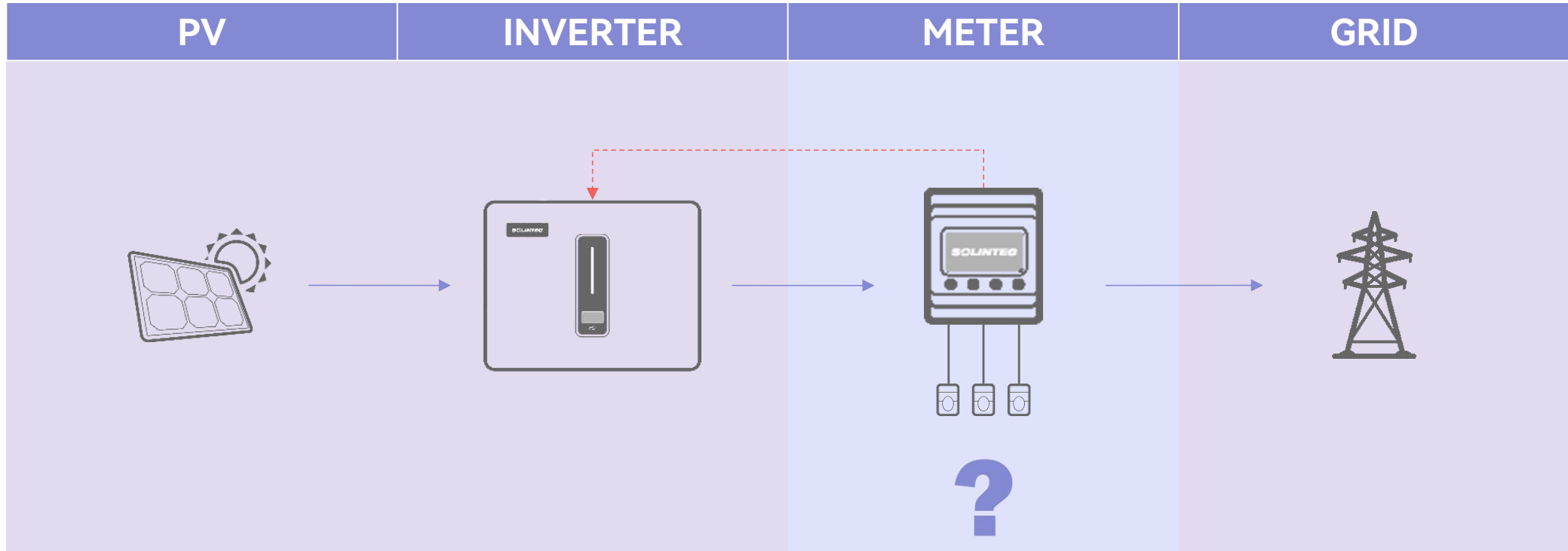
**Solutions**

3

**Settings**

# 01 Introduction

# Introduction



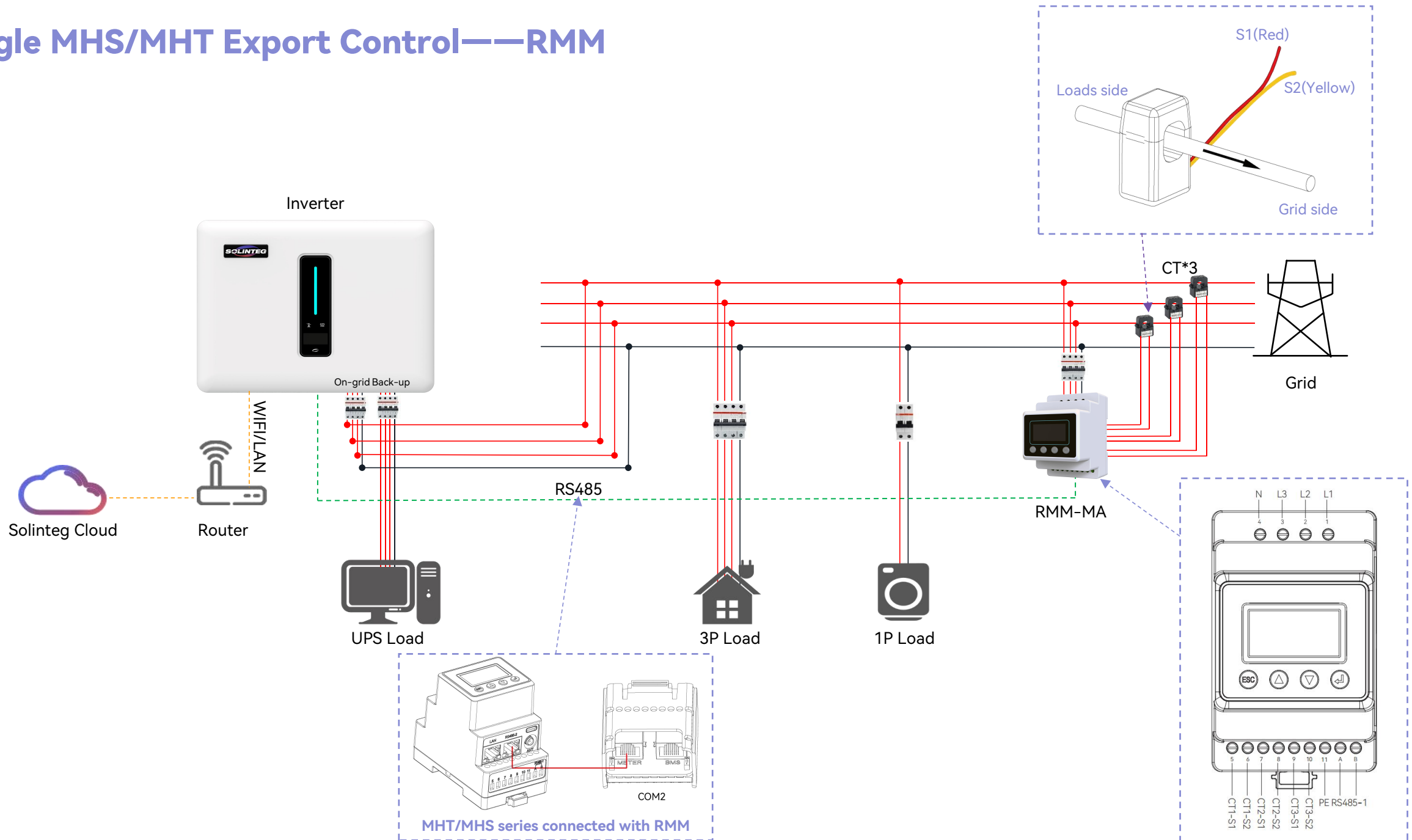
Upstream power detected

Feedback to inverter

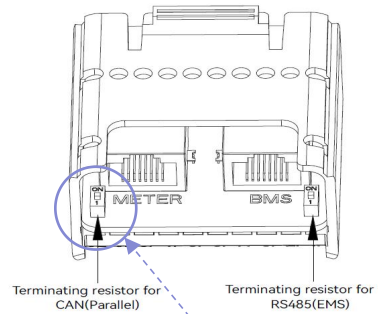
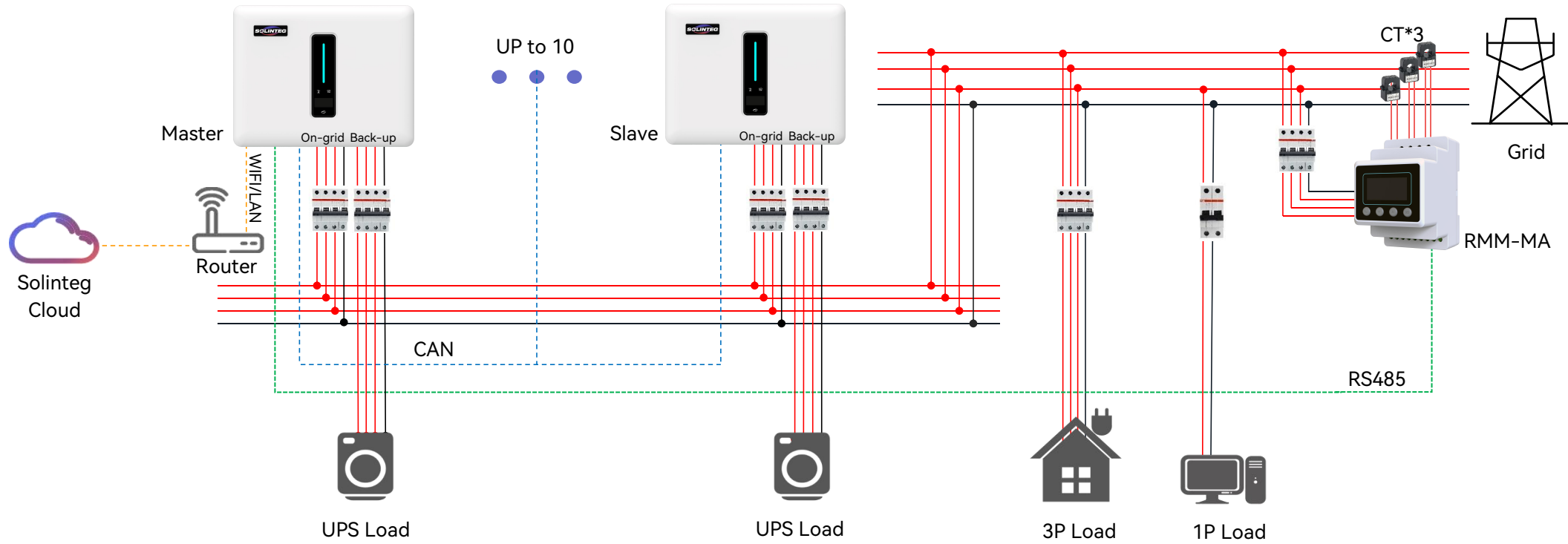
Export control

# 02 Solutions

# Single MHS/MHT Export Control—RMM

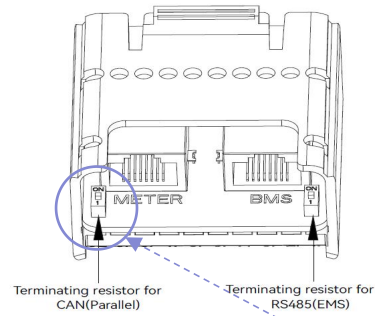
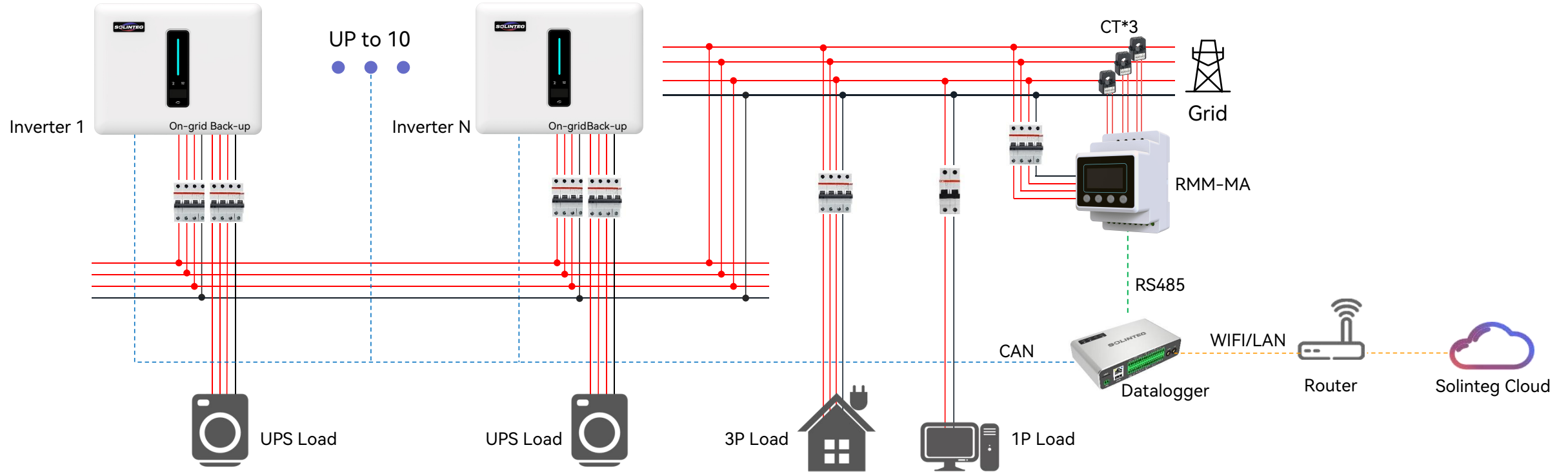


# Multiple MHS/MHT Export Control 1——Master-Slave Control

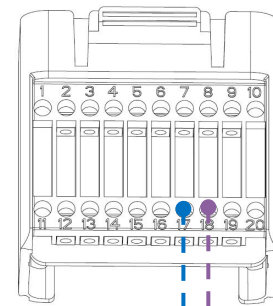
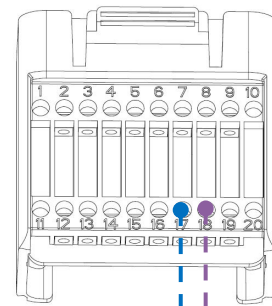


Turn the terminating resistor for CAN of the first and last inverter to the ON position when the signal transmission is poor.

# Multiple MHS/MHT Export Control 2——Datalogger Control

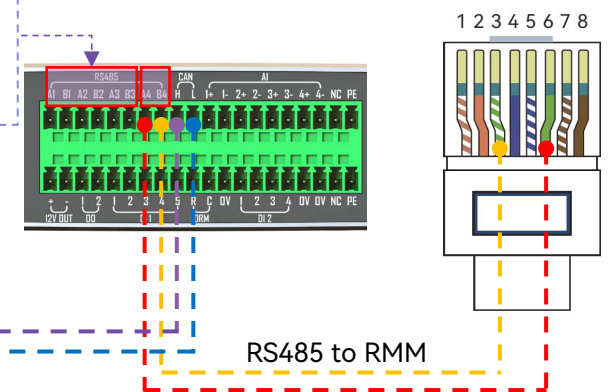


Turn the terminating resistor for CAN of the farthest inverter to the ON position when the signal transmission is poor.



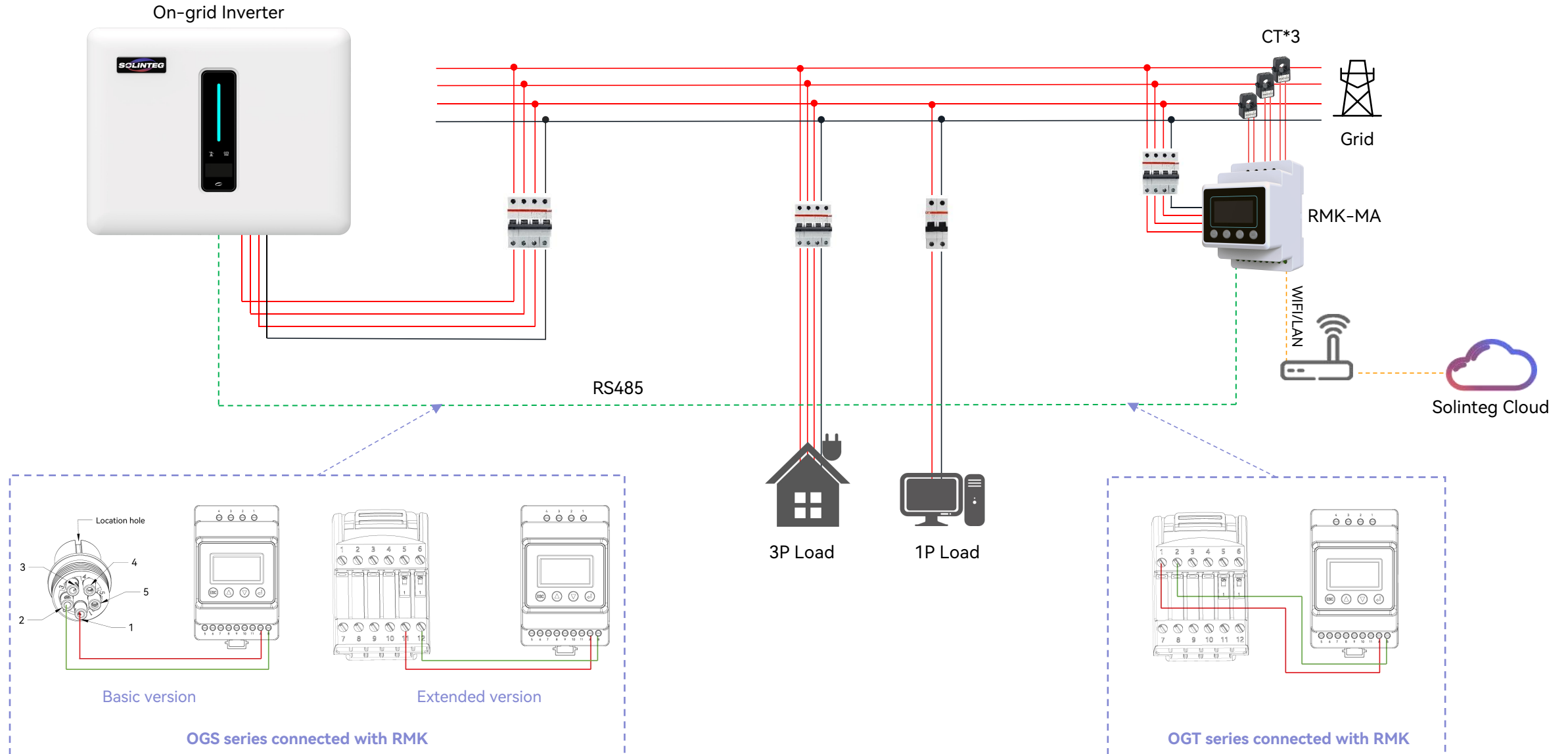
Datalogger RS485 ports definition:

1-3: for inverter.  
4: for meter.

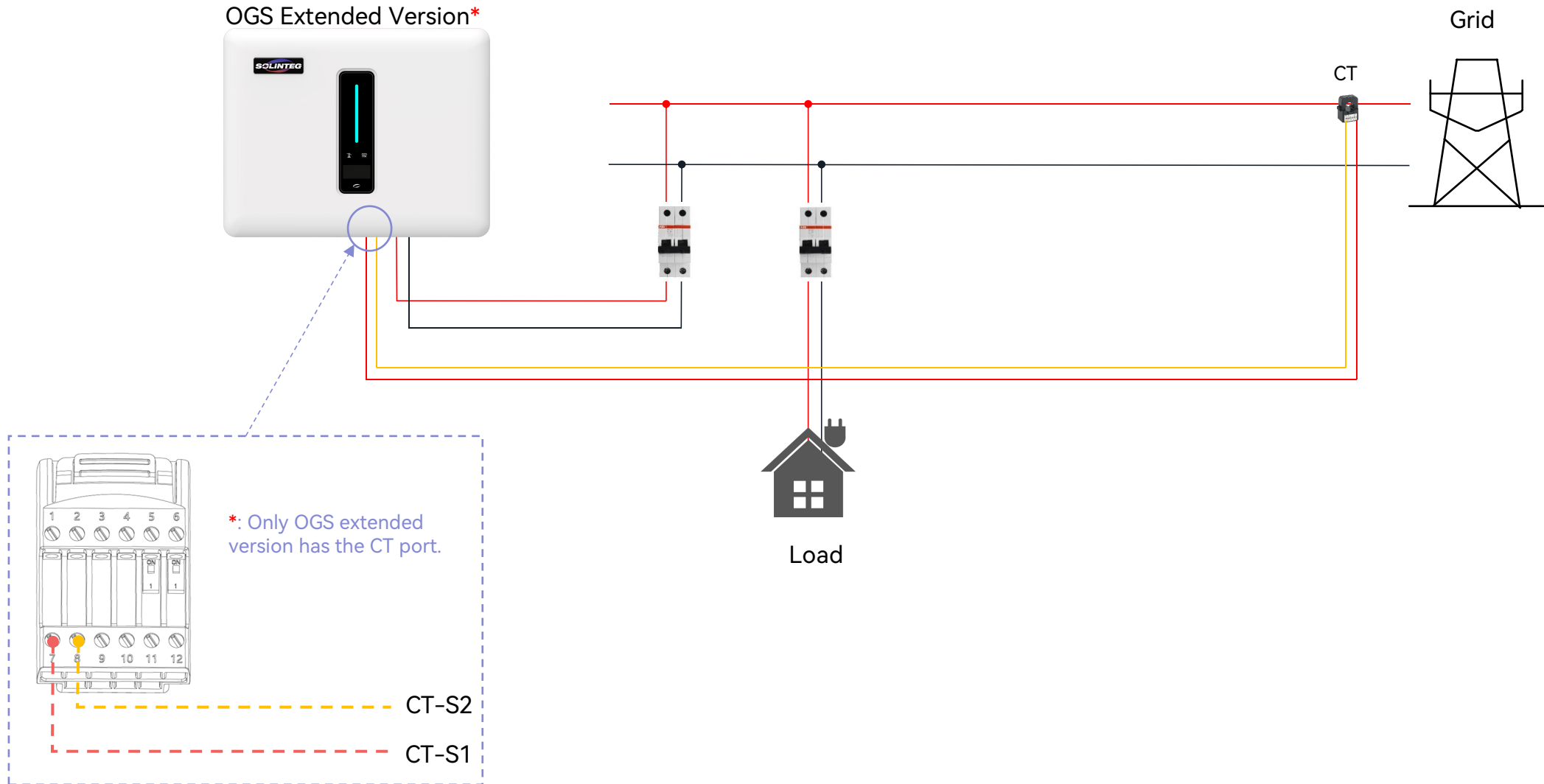




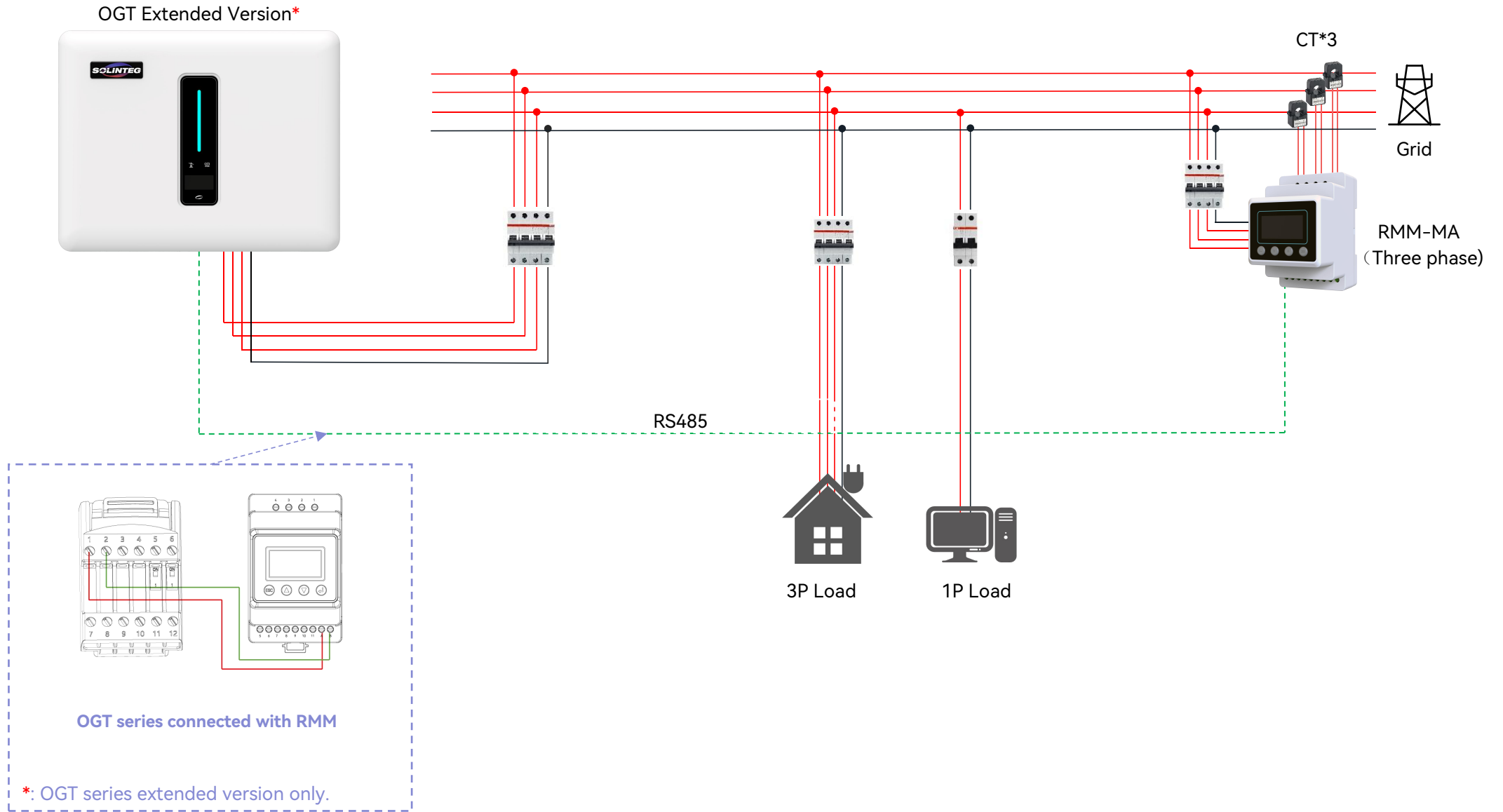
# Single OGS/OGT Export Control—RMK



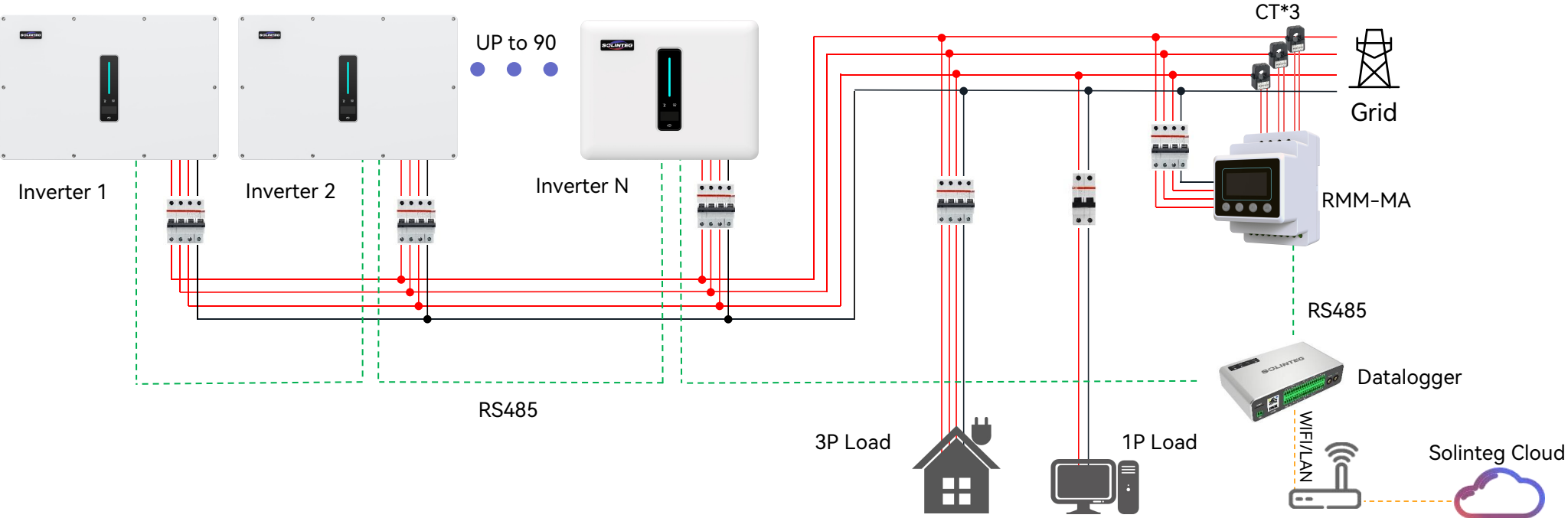
# Single OGS\* Export Control—CT Only



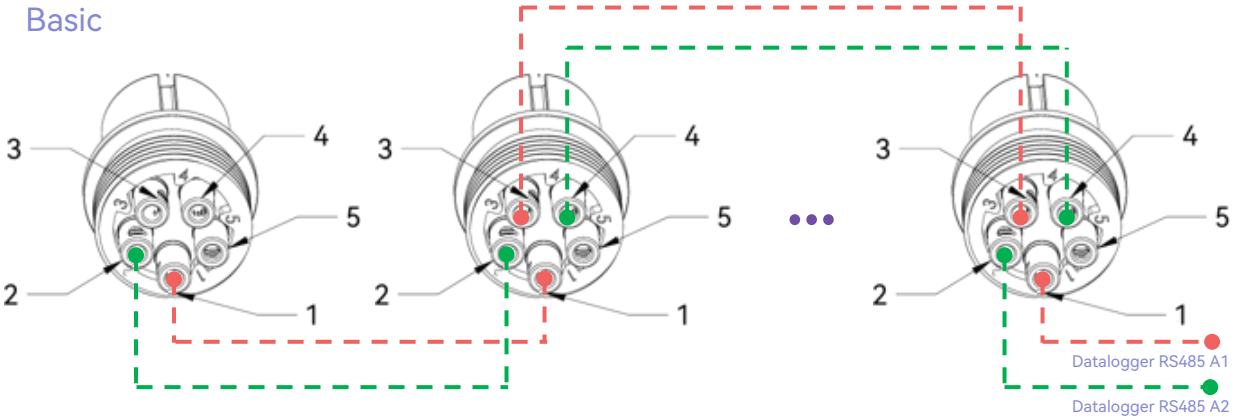
# Single OGT\* Export Control——RMM



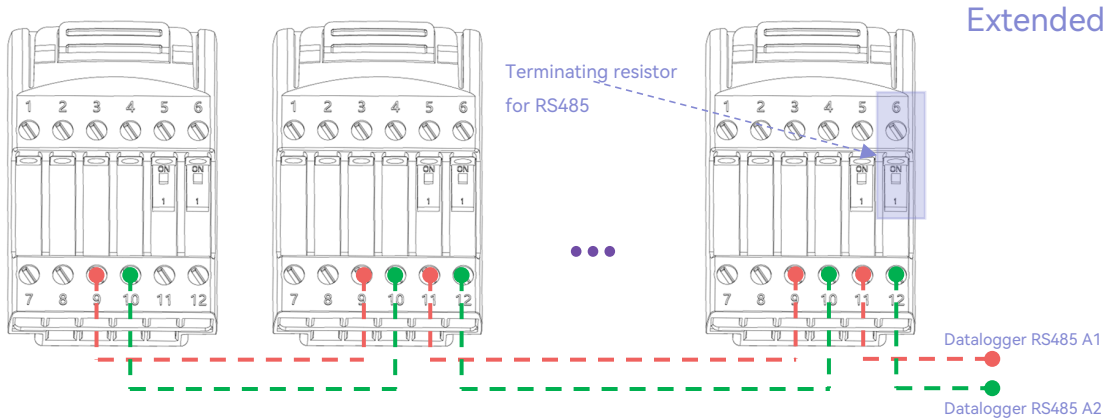
# Multiple OGS/OGT Export Control—Datalogger+RMM



Basic



Extended



# 03 Settings

# Web Settings

The screenshot shows the SOLINTEG web interface. The top navigation bar includes 'Overview', 'Plants', 'Management', and 'Alarm'. The 'Management' menu is highlighted with a red circle and the number '1'. A dropdown menu is open, showing 'Plant Management', 'Device Management' (highlighted with a red circle and the number '2'), and 'Organization Management'. Below the menu, there is a search bar with 'Device Name/SN' and buttons for 'Search' and 'Reset'. A table of devices is displayed with the following columns: Device Name, Model, Plant Name, SN, Check C..., Master Firmware..., Slave Firmware..., and Operate. Two devices are listed: #1 (Hybrid-10K) and #2 (Hybrid-8K). The 'Operate' column for device #1 has a red circle and the number '3' next to it. A '+ Add Device' button is located at the bottom right of the table. The text '2 in total' is shown at the bottom right of the table area.

Device Name	Model	Plant Name	SN	Check C...	Master Firmware...	Slave Firmware ..	Operate
#1	Hybrid-10K	Three Phase Energy St...	X112200140030148	508744	V1.0.0.0	V8.25.1.0	3
#2	Hybrid-8K	Three Phase Energy St...	X112200101330137	460583	V1.0.0.0	V8.25.1.0	

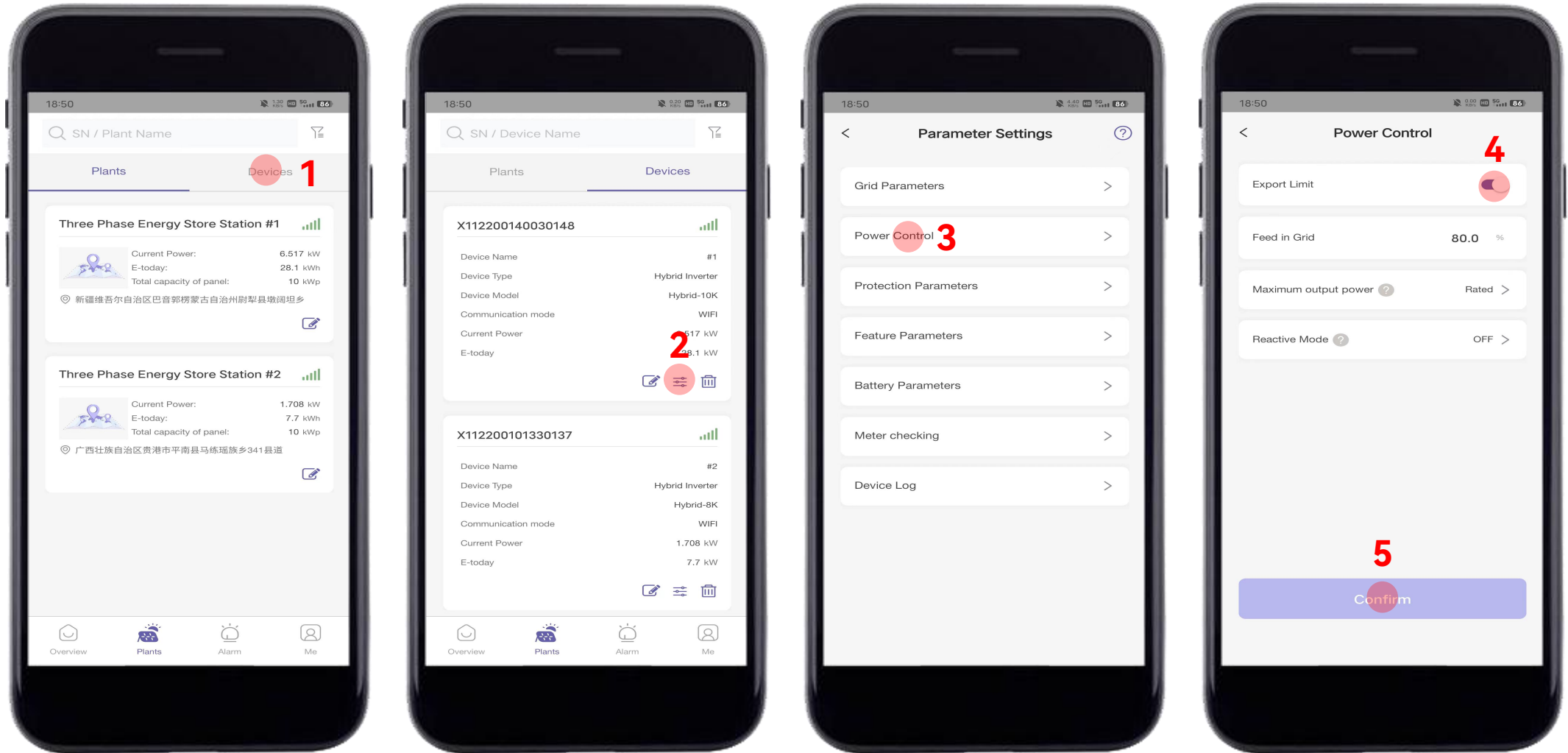
The screenshot shows the 'Parameter Settings#1' dialog box. The 'Power Control' section is highlighted with a red circle and the number '4'. The 'Export Limit' switch is turned on and highlighted with a red circle and the number '5'. The 'Feed in Grid' value is set to 80.0%. The 'Maximum output power' is set to 'Rated'. The 'Reactive Mode' is set to 'OFF'. The 'Set' button is highlighted with a red circle and the number '6'. The dialog box also includes a 'Disclaimer' section and 'Refresh' and 'Cancel' buttons.

## Setting Path:

Management / Device Management / Parameter Settings / Power Control / Export Limit

Turn on 'Export Limit' switch, set 'Feed in Grid' value and 'Reactive Mode', then save the settings.

# App Settings

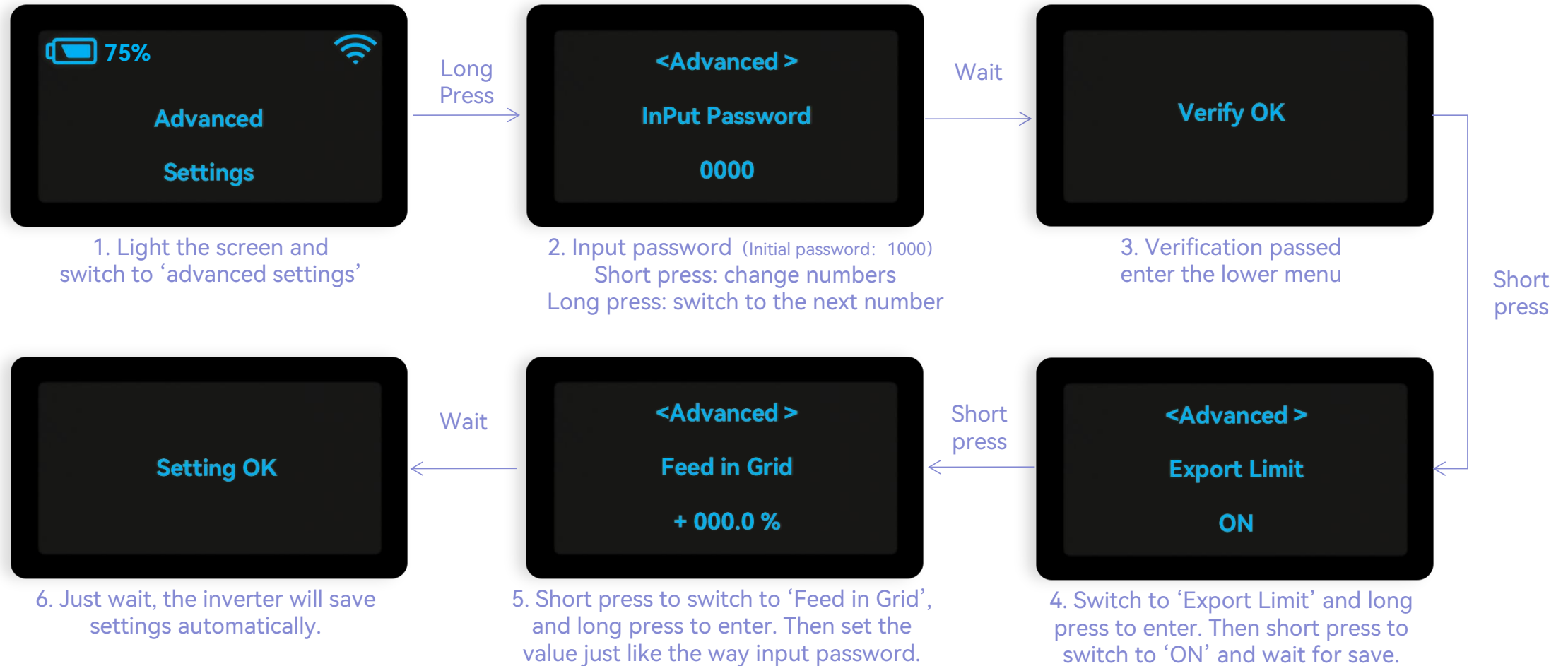


## Setting Path:

Devices / Parameter Settings / Power Control / Export Limit

Turn on 'Export Limit' switch, set 'Feed in Grid' value and 'Reactive Mode', then save the settings.

# Inverter Settings



## Setting Guidance:

Short press(1s): switch window.

Long press(3s): enter the lower Menu.

Wait: no need to press, please wait for 10 seconds and the inverter will automatically save your settings or modifications.



**THANK YOU**