

Solinteg Parallel Connection Solution

INTEGRATE SOLAR INTELLIGENTLY



Brief Introduction

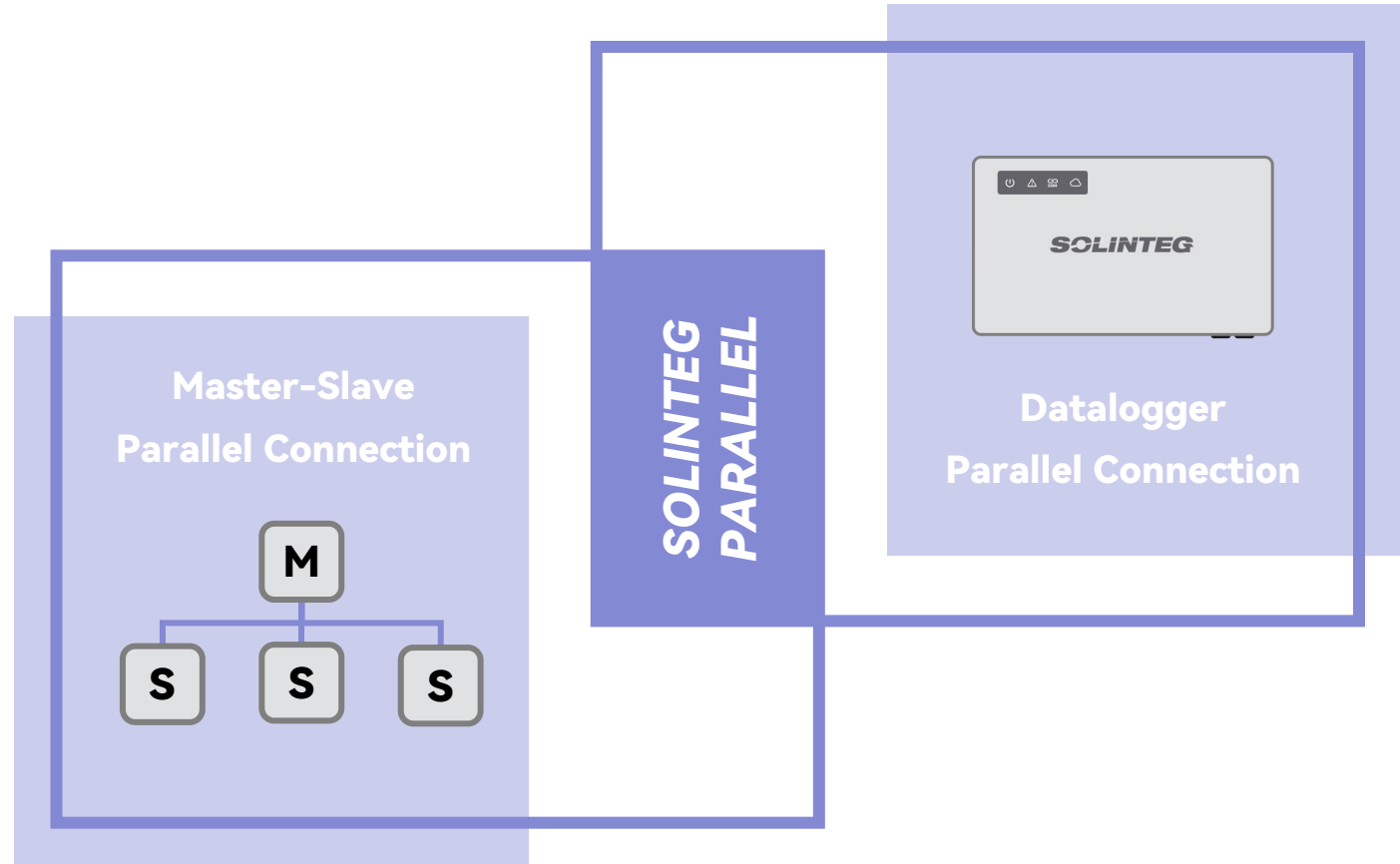
Solinteg provides two methods of parallel connection: Master-Slave Parallel and Datalogger Parallel. These are suitable for all Solinteg inverters and can be utilized in both on-grid and off-grid scenarios, enabling our customers to expand their system capacity and easily integrate other devices.

1

Master-Slave Parallel Connection

2

Datalogger Parallel Connection



Master-Slave Parallel

Solinteg Master-Slave parallel connection can be used for all hybrid inverter, which supports both on-grid side and off-grid side paralleling. Besides, it has the following highlights:



On-grid Parallel Connection



Off-grid Parallel Connection



UPS Level Switching



Monitor All in One

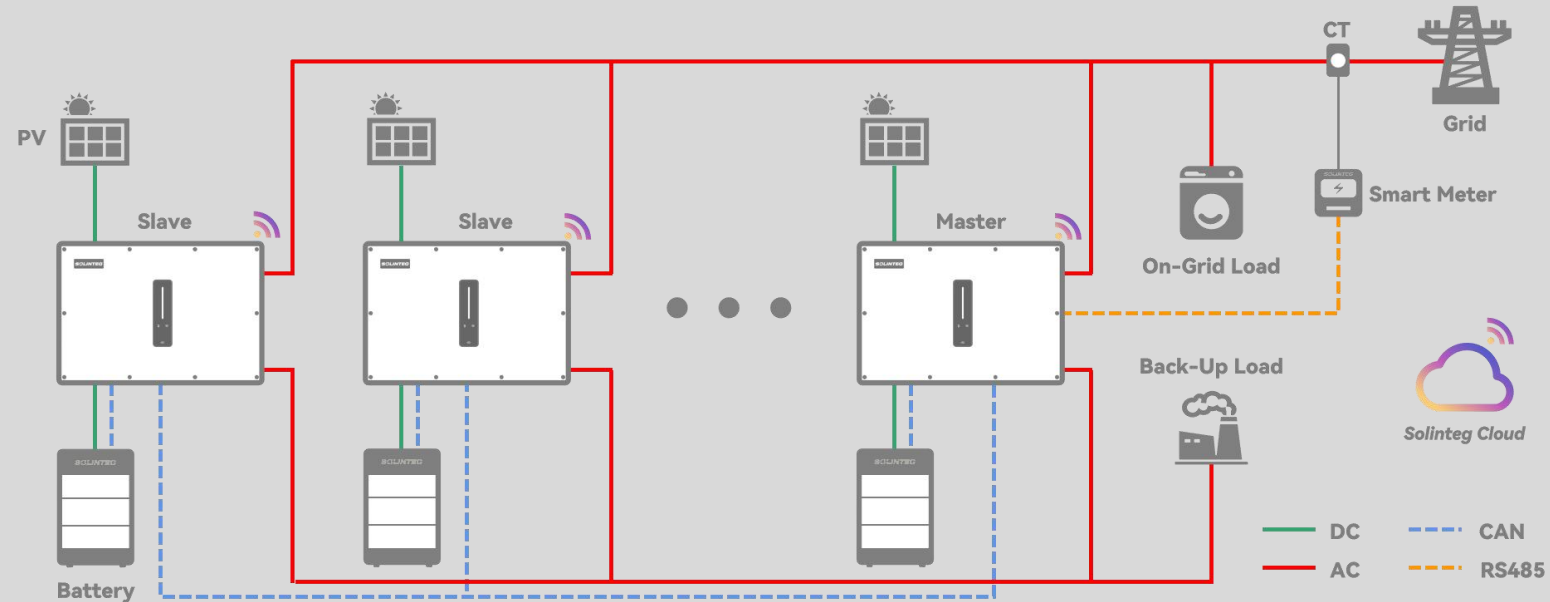


System Level Precise Export Control



System Level Unbalanced Output

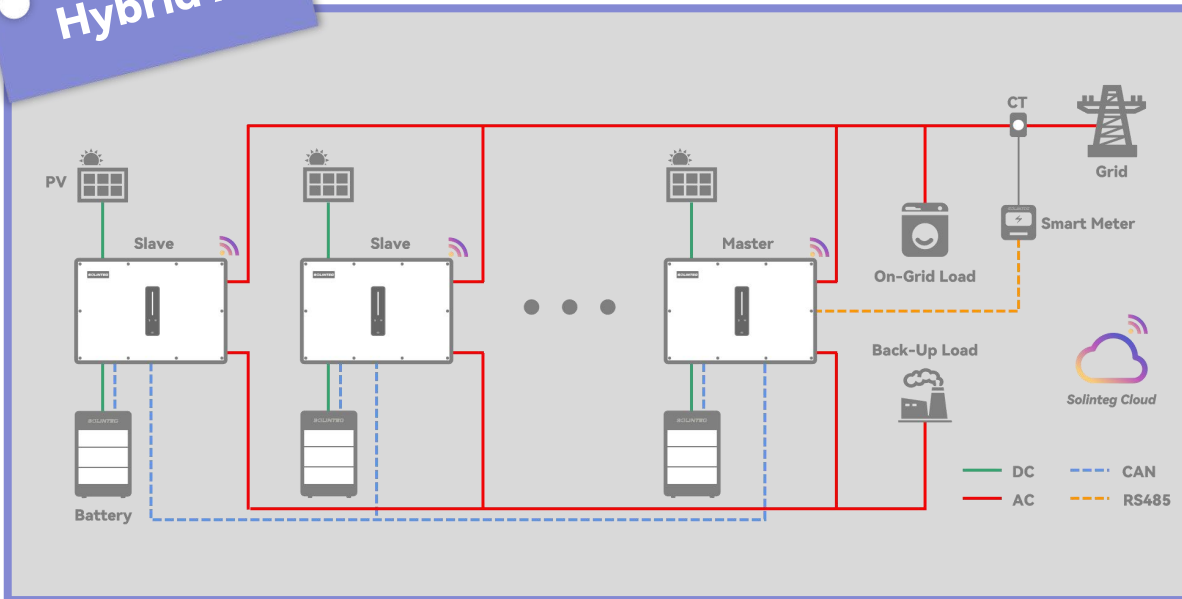
Solinteg Master-Slave Parallel Connection



Master-Slave Parallel

Typical Applications

Hybrid A



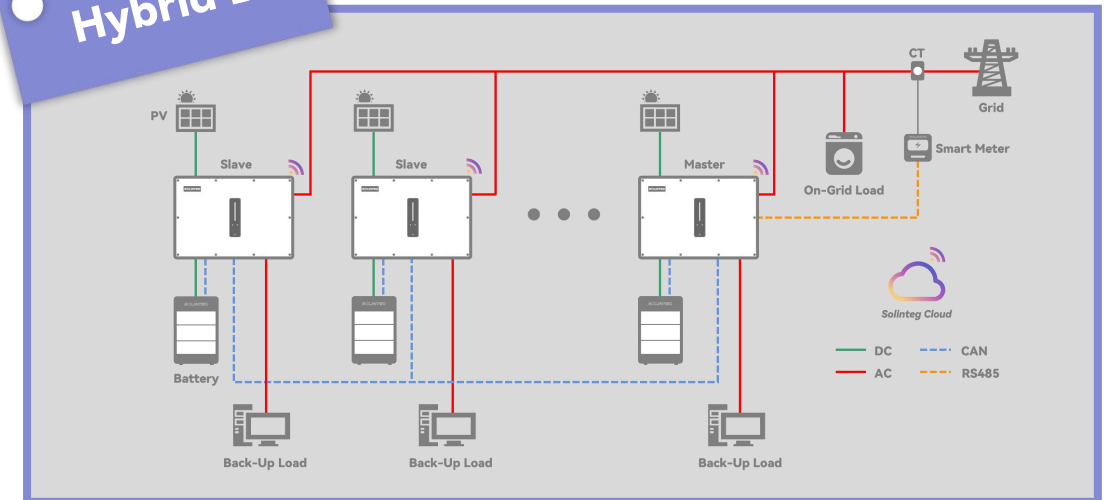
Greater Loads Carrying Ability

Share the PV and battery power to support more loads

Higher Flexibility

More flexible to expand the system and allocate the loads

Hybrid B



Datalogger Parallel

Solinteg datalogger parallel increases the number of parallel units while maintaining the advantages of master-slave parallel, and integrates more intelligent control strategies into the datalogger, further enriching the functionality of the system.



More Units in One System

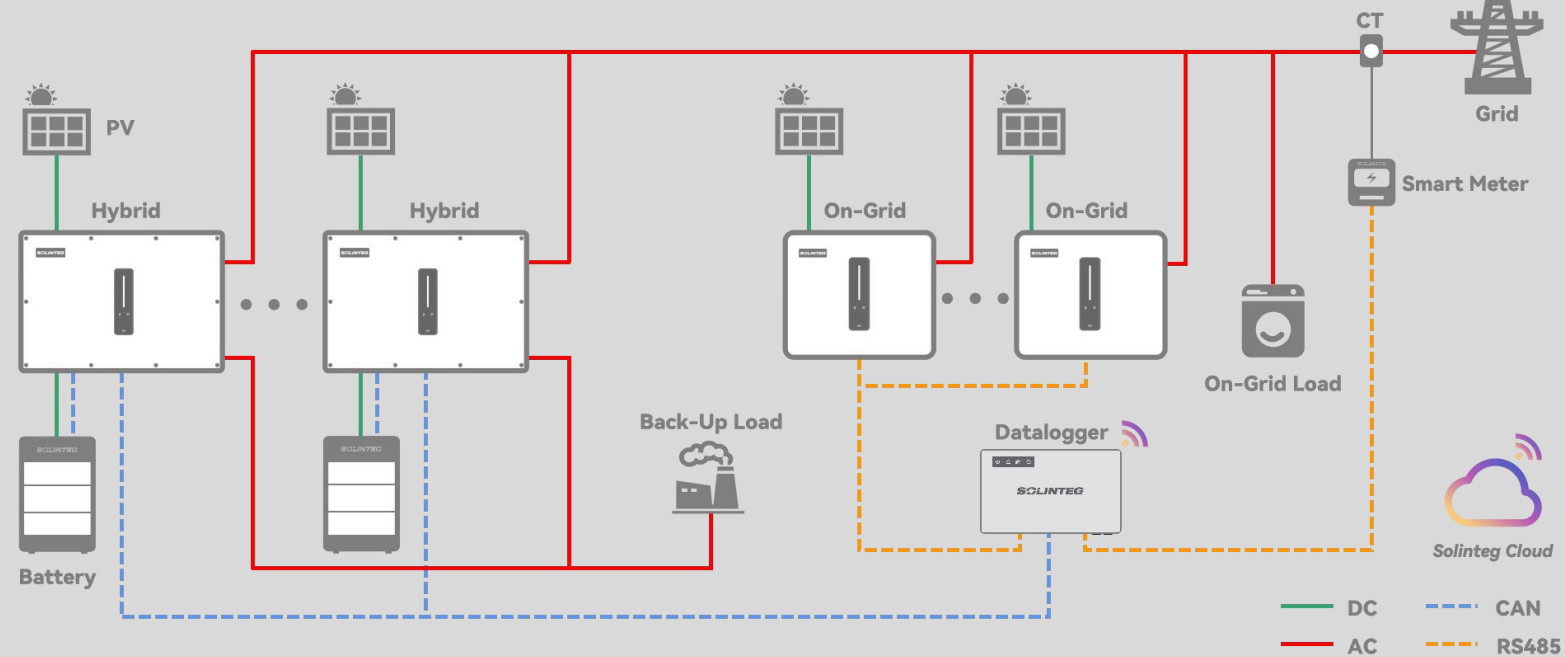


More Smart Strategies



More Integrations

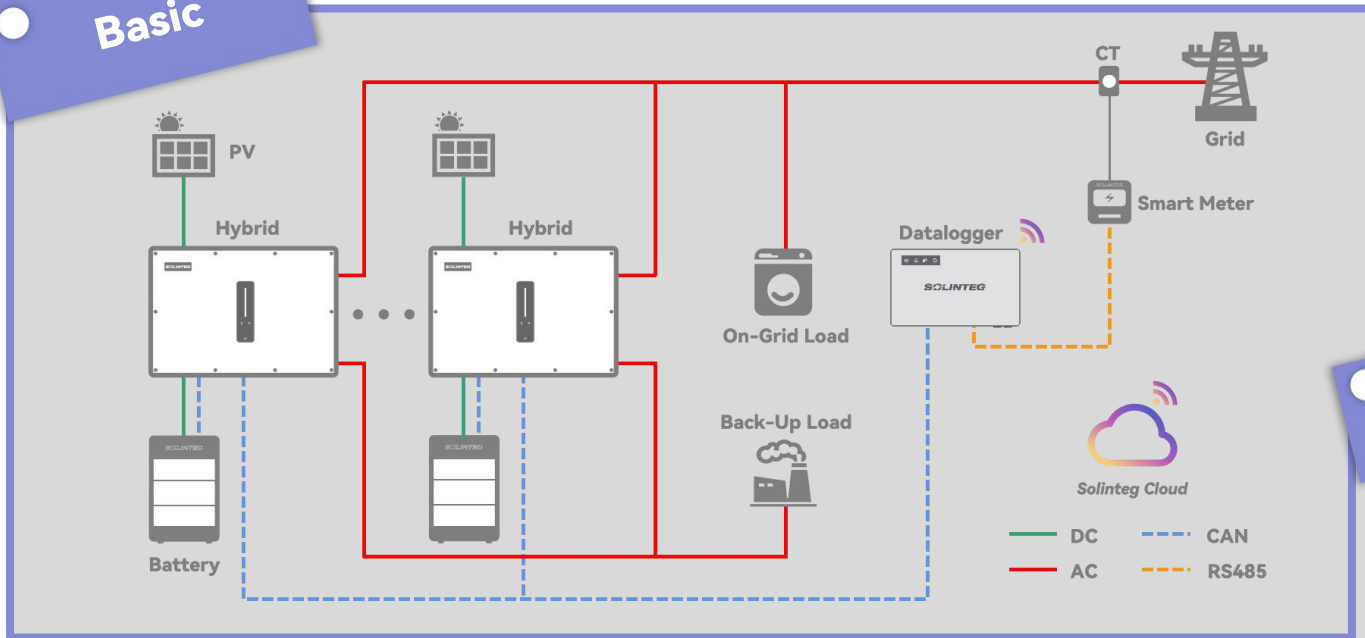
Solinteg Datalogger Parallel Connection



Datalogger Parallel

Typical Applications

Basic



More Units

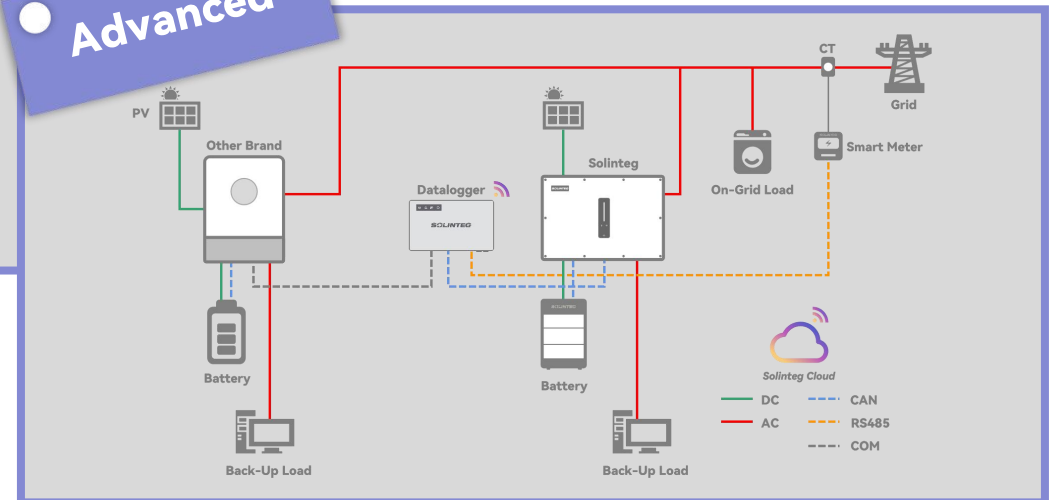
Datalogger supports 1 string CAN parallel and 3 strings RS485 parallel (10 hybrid and 30*3 on grid paralleling)

More Possibilities

More ports to integrate other devices and other brand inverters* into one system

*: The communication protocol of other brands inverter is needed.

Advanced





END

Visit Solinteg website to find out more

INTEGRATE SOLAR INTELLIGENTLY